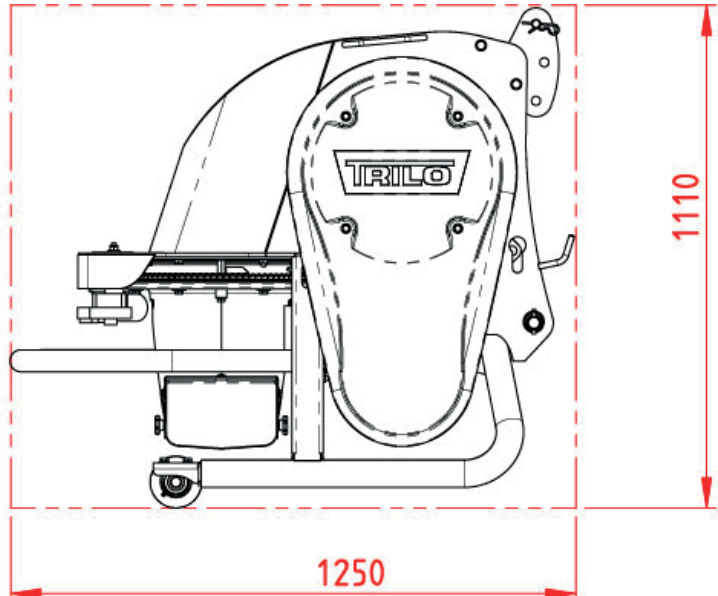
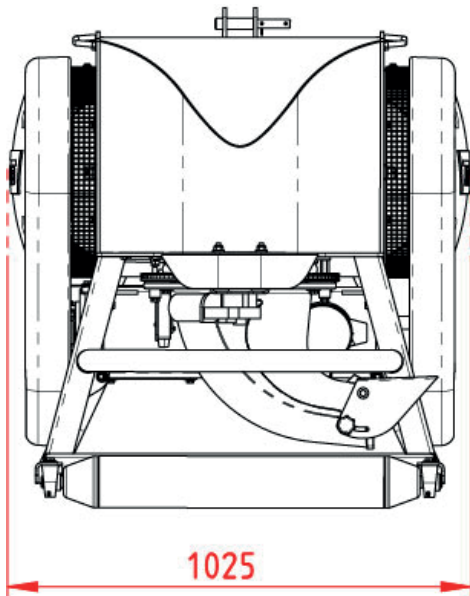


TRILO[®]

BL400 Blowers



Measures are in mm

Technical specifications

Fan diameter:	Ø 400 mm (37.7")
Number of fan blades:	14
Drive:	By PTO or Hydraulic
PTO power:	> 25 hp (19 KW) at 540 - 1000 RPM
Hydraulic control air outlet direction:	15 l/min. - 120 bar - (1x double acting valve)
Hydraulic drive:	55L/min. - 200bar (1x single acting valve)
Three point hitch:	Cat I-II
Weight:	250 kg (551 lb)
Measurements (LxWxH):	1,20 x 1,15 x 1,21 m (3.93 x 3.77 x 3.96 ft)
Air capacity:	285 m ³ /min.
Noise level:	84 dB(A)

Under our policy of continuous improvement, we reserve the right to change specifications and design without prior notice. The illustrations do not necessarily show the standard version of the machine. Not all products are available in all countries.