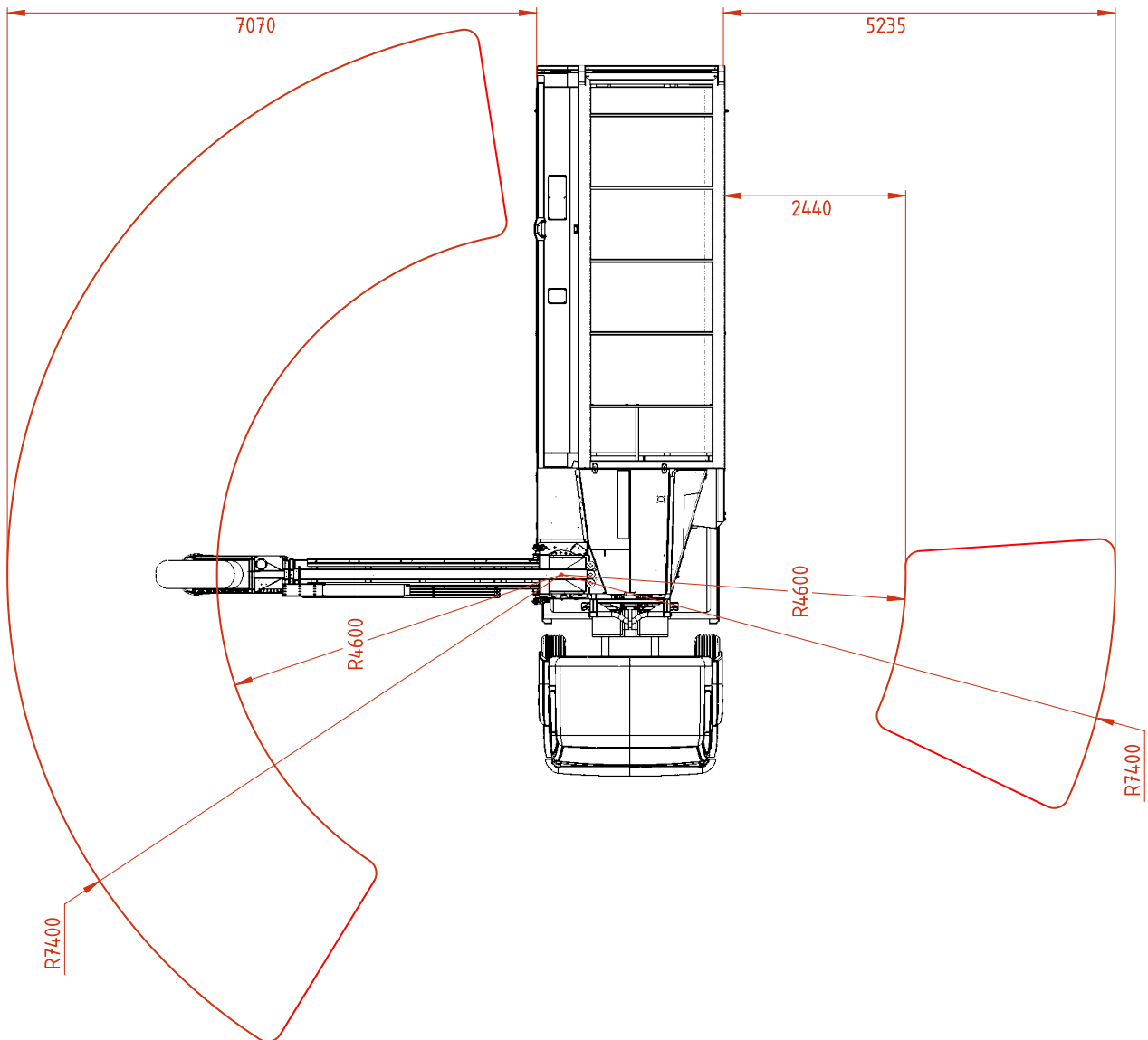


PROPRIETARY AND CONFIDENTIAL
Any reproduction in part or as a whole without
the written permission on VANMAC BV is prohibited.



Nr	Content [m ³]	L1*	L2	L3
3	21	6000	6443	4256
4	23	6500	6943	4756
5	26	7000	7443	5256

* DIN dimensions (DIN 30722)

Suitable for emptying containers below street level

Drive: 4-Cylinder Hatz diesel engine (Stage 5)

Available load volumes: 21, 23 and 26 m³

Suction hose working range: 7400 mm (right side) - 5235 mm (left side)

Operation: Radio-controlled

Securing to the vehicle: hook lift and cable lift systems

Vanmac BV
Astronaut 40
3824 MJ AMERSFOORT
the Netherlands

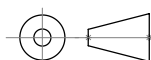
Tolerances unless stated:
ISO 2768-mK
Precision Casting:
ISO 8062-3 DCTG-8
Sheet-Metal Bending:
ISO 2768-cL

DO NOT SCALE DRAWING

TL Vacuum Containers



Remove welding spatter
Sheet metal unscratched
Debur / Break sharp edges



20 - 03 - 2019