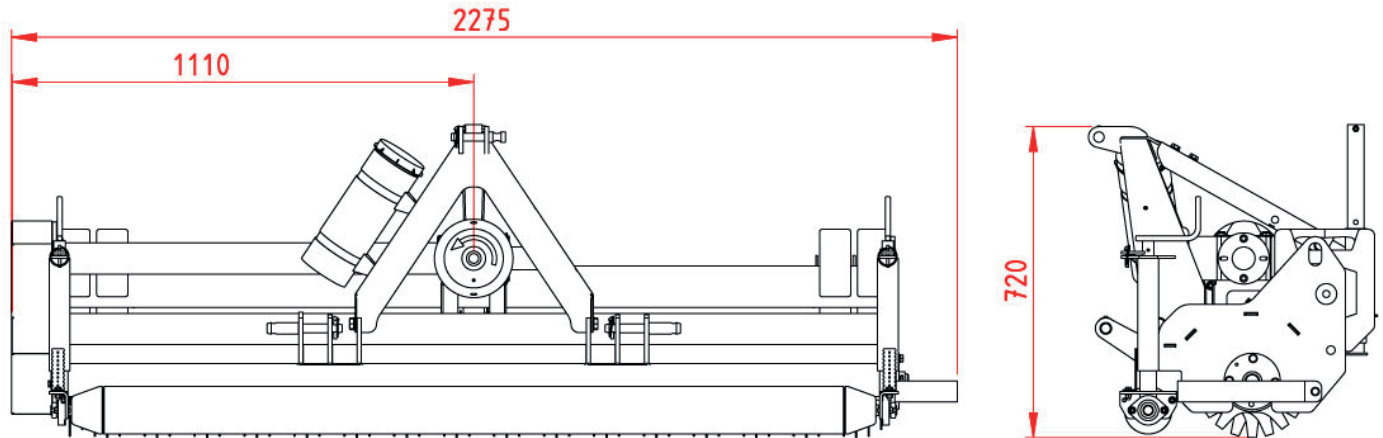


VCU200 Verti-cutting units



Measures are in mm

Technische specificaties

PTO output:	> 30 hp (22 kW)
PTO:	540 RPM
Drive:	Power take-off
Three point hitch:	Cat. I
Weight:	265 kg (584 lb)
Measurements (LxWxH):	2,20 x 0,80 x 0,90 m (7.21 x 2.62 x 2.95 ft)
Working width:	2,00 m (6.56 ft)
Number of knives:	73 / 66 / 40
Diameter knives:	Ø 270 mm (10.6")
Knife thickness:	3 mm (0.11") Tungsten Tips or 3 mm (0.11") Manganese steel
Knife distance:	30 mm (1.18")
Front roller diameter:	Ø 120 mm (4.72")
Weight set:	4 x 22 kg (4 x 48.5 lb)
Working depth:	Max. 40 mm (1.57")
Transport dimensions:	405 kg (893 lb) LxWxH: 225 x 76 x 88 cm (89 x 11 x 35") (In Steel Rack)

Under our policy of continuous improvement, we reserve the right to change specifications and design without prior notice. The illustrations do not necessarily show the standard version of the machine.



VCU200 Verticutting units

