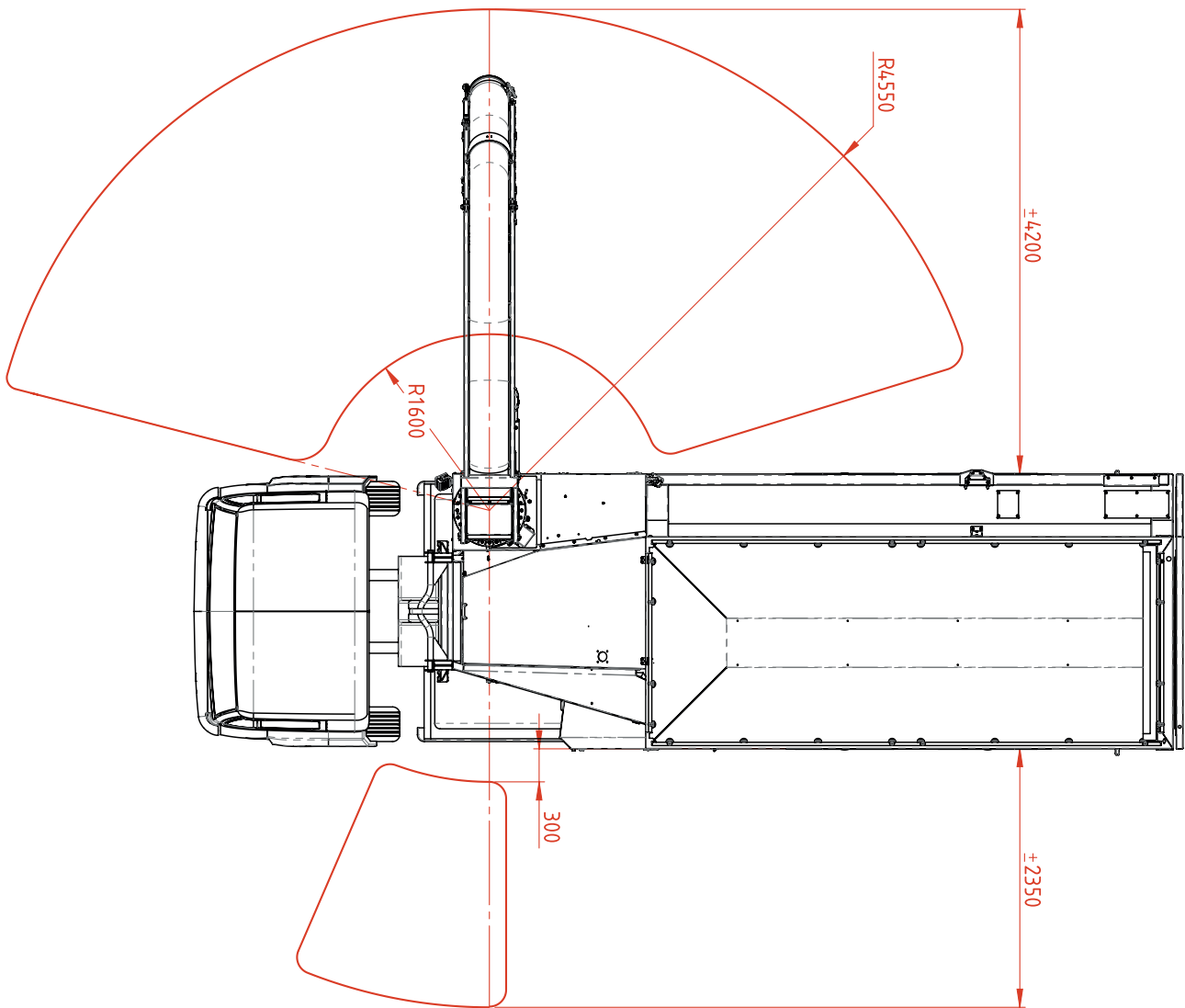


PROPRIETARY AND CONFIDENTIAL
Any reproduction in part or as a whole without
the written permission on VANMAC BV is prohibited.



| Nr | Content [m ³] | L1* | L2 | L3 |
|----|---------------------------|------|------|------|
| 4 | 23 | 6500 | 6943 | 4756 |
| 5 | 26 | 7000 | 7443 | 5256 |

* DIN dimensions (DIN 30722)

Mobile collection of large quantities of fallen leaves and waste

Drive: 4-Cylinder Hatz diesel engine (Stage 5)

Available load volumes: 23 and 26 m³

Suction hose working range: 4200 mm (right side) - 2350 mm (left side)

Operation: Radio-controlled

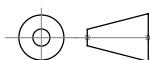
Securing to the vehicle: hook lift and cable lift systems

Vanmac BV
Astronaut 40
3824 MJ AMERSFOORT
the Netherlands

Tolerances unless stated:
ISO 2768-mK
Precision Casting:
ISO 8062-3 DCTG-8
Sheet-Metal Bending:
ISO 2768-cL

DO NOT SCALE DRAWING

TL Vacuum Containers



20 - 03 - 2019

Remove welding spatter
Sheet metal unscratched
Debur / Break sharp edges