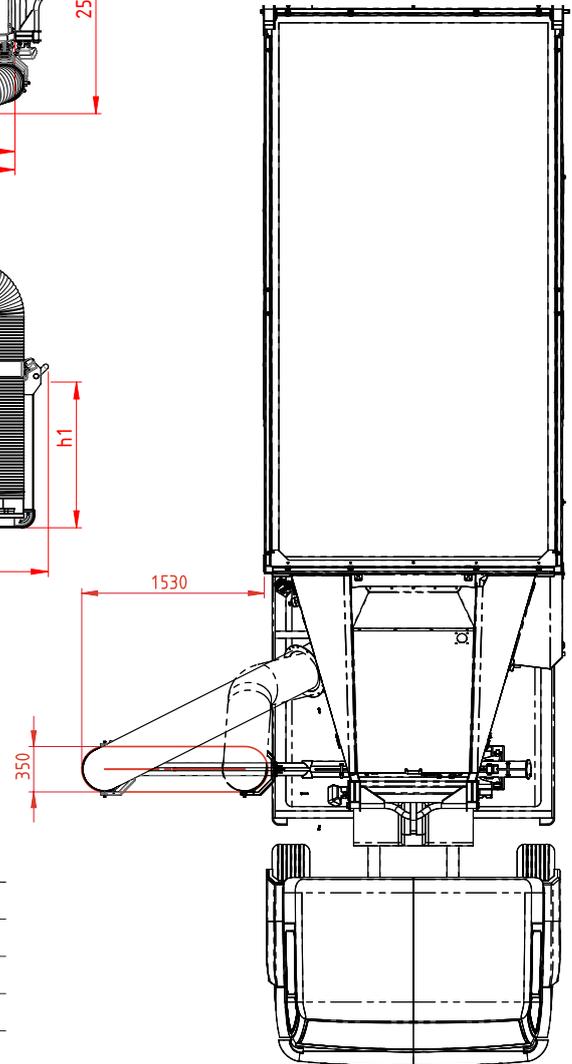
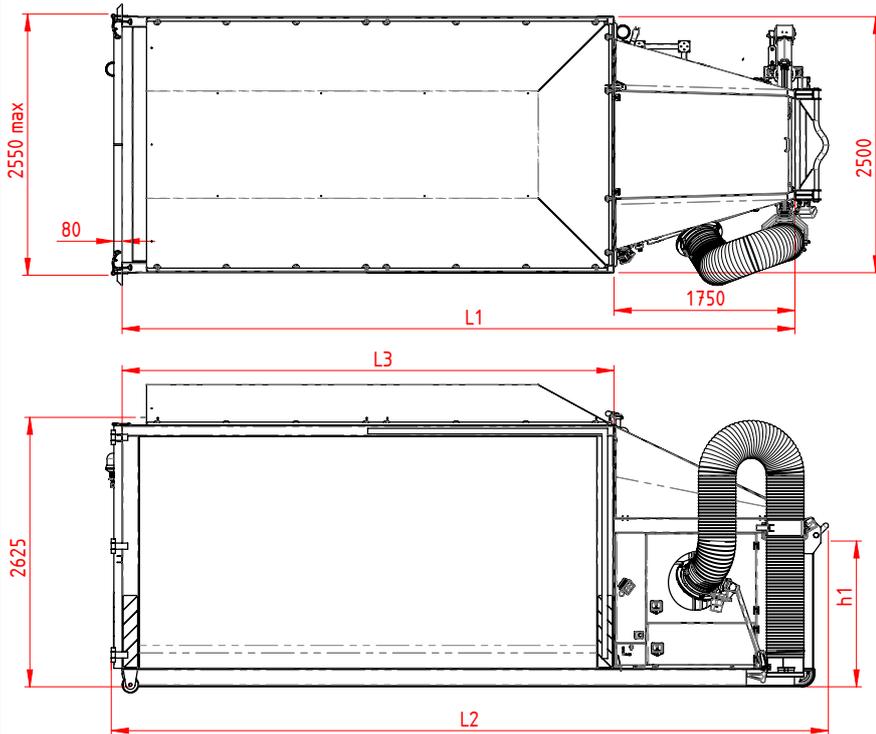


PROPRIETARY AND CONFIDENTIAL
Any reproduction in part or as a whole without
the written permission on VANMAC BV is prohibited.



Nr	Content [m ³]	L1*	L2	L3
1	17	5000	5443	3256
2	20	5500	5943	3756
3	22	6000	6443	4256
4	25	6500	6943	4756
5	28	7000	7443	5256

* DIN dimensions (DIN 30722)

Mobile collection of large quantities of fallen leaves and waste

Drive: 4-Cylinder Hatz diesel engine (Stage 5)

Available load volumes: 17, 20, 22, 25, 28 m³

Suction hose: Ø 350 mm, length 4 m

Operation: Radio-controlled

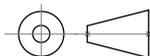
Securing to the vehicle: hook lift and cable lift systems

Vanmac BV
Astronaut 40
3824 MJ AMERSFOORT
the Netherlands

Tolerances unless stated:
ISO 2768-mK
Precision Casting:
ISO 8062-3 DCTG-8
Sheet-Metal Bending:
ISO 2768-cL

DO NOT SCALE DRAWING

TS Vacuum Containers



20 - 20 - 2019

Remove welding spatter
Sheet metal unscratched
Debur / Break sharp edges